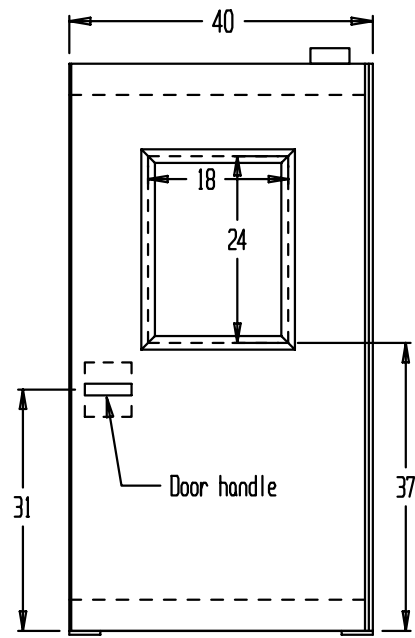
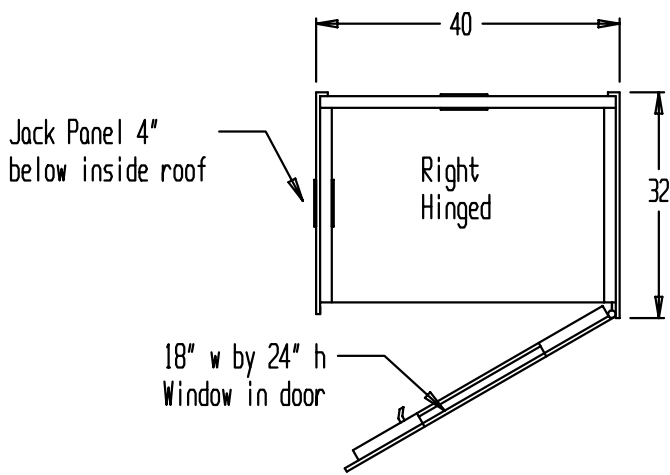


SIDE ELEVATION

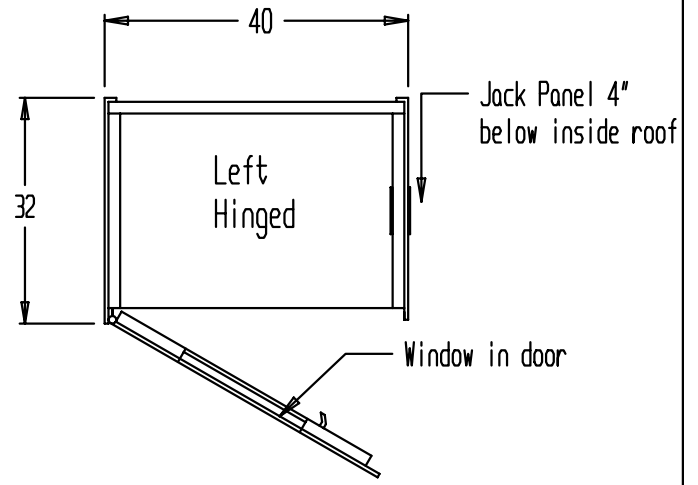
1/2" Neoprene Isolation  
130502 - 6 ft.



DOOR SIDE ELEVATION



WALL PLAN



WALL PLAN

RE-125 Mobile Configuration Screening Booths  
Delete folding shelf, casters  
Provide neoprene isolation and door latch

**ETS-LINDGREN**  
ACOUSTIC SYSTEMS

TITLE RE-125 Screening Booths - Mobile Configuration

Scale N/A

DRAWN BY SMD DATE 12/15/2008

FOR Technical Manual

Drawing #16212 Sheet 1 of 1

NOTES For Proposal Only